

# EK 3053-U

RF Wireless Systems | 3000 Series Wireless Monitoring System

Cat. No. 004699

## General Description

The EK 3053-U is a rugged stereo pocket receiver designed for receiving signals transmitted by the SR 3054-U and SR 3056-U transmitters. Its small size allows complete freedom of movement. 16 switchable UHF receiving frequencies ensure high flexibility and optimum reception.



## Technical Data

Receiving frequencies .....	16
Frequency range.....	450–960 MHz
Switching bandwidth.....	24 MHz
Modulation.....	wideband FM, stereo
Nominal/peak deviation .....	$\pm 40$ kHz / $\pm 56$ kHz
RF squelch.....	0–100 $\mu$ V, adjustable
Sensitivity .....	$\leq 2$ $\mu$ V (mono)
	$\leq 10$ $\mu$ V (stereo)
Noise reduction system .....	“HiDyn stage”
AF frequency response.....	45–15,000 Hz
Signal-to-noise ratio .....	typ. 87 dB(A)
THD (1 kHz) .....	$\leq 0.3$ %
Stereo channel separation.....	$\geq 45$ dB
AF output power .....	2 x 100 mW (at 16 $\Omega$ ), min. load 2 x 8 $\Omega$
Power supply .....	1 x 9 V PP3 battery or 9 V accupack
Operating time	
- with alkaline battery .....	approx. 5 hrs
- with accupack .....	$\leq 2$ hrs
Dimensions.....	108 x 65 x 23 mm
Weight incl. battery .....	236 g
In compliance with.....	ETS 300 422, ETS 300 455

## General Features

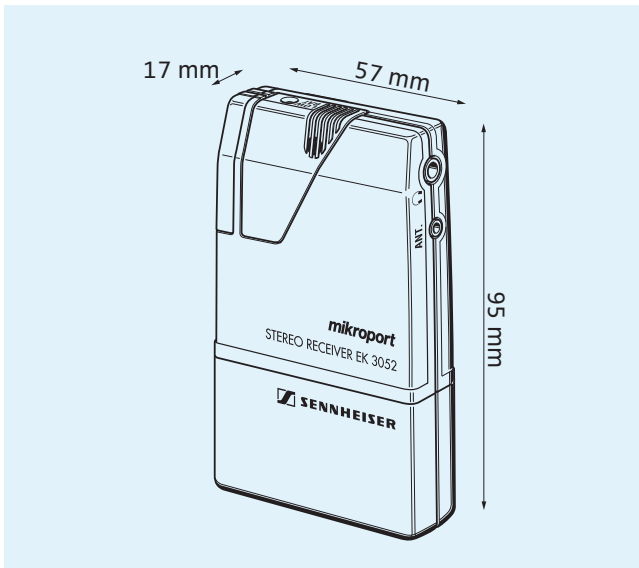
- Wireless monitoring system for stage and broadcast use
- Stereo and mono transmission
- “HiDyn stage” noise reduction system
- Easy to use
- Suitable for multi-channel applications
- Can also be used as a talkback system

## EK 3053-U

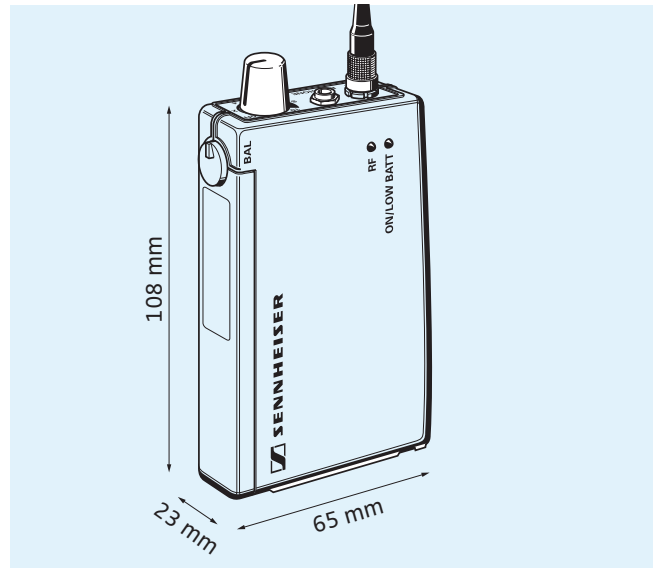
- Rugged stereo pocket receiver
- 16 switchable receiving frequencies, PLL-controlled
- LEDs for RF signal and “operation”/“LowBatt” indication
- FOCUS function for individual audio mix
- Extremely reliable special co-ax antenna socket
- Delivery includes: 1 EK 3053-U stereo receiver with antenna,  
1 attachment clip, 9 V PP3 battery

# EK 3052-U/EK 3053-U

RF Wireless Systems | 3000 Series Wireless Monitoring System



EK 3052-U dimensions



EK 3053-U dimensions

#### Accessories for the EK 3052-U and EK 3053-V receivers

- B 2013 battery box
- BA 2013 accu pack
- L 2013 charger
- NT 2013 plug-in mains unit for L 2013
  - NT 2013 european version
  - NT 2013-120 USA version
  - NT 2013-UK UK version

Cat. No. 003437

Cat. No. 003436

Cat. No. 003324

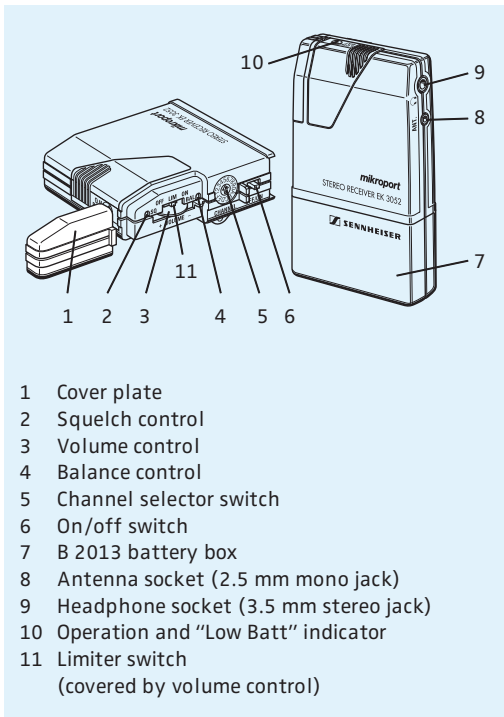
Cat. No. 003433

Cat. No. 003434

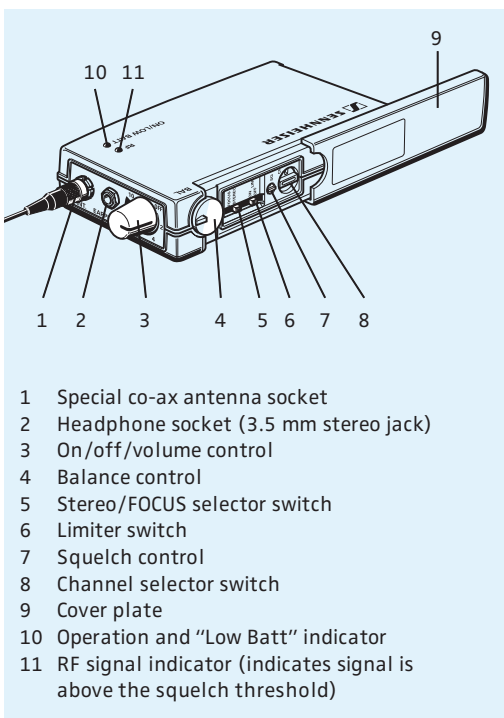
Cat. No. 003435

# EK 3052-U/EK 3053-U

## RF Wireless Systems | 3000 Series Wireless Monitoring System



EK 3052-U operating controls



EK 3053-U operating controls

### EK 3052-U and EK 3053-U receivers

The transmitters of the system are optimally matched by the EK 3052-U and EK 3053-U stereo pocket receivers. 16 switchable UHF receiving frequencies within a switching bandwidth of 24 MHz max. ensure high flexibility and optimum reception. Both receivers can be used in multi-channel systems. The EK 3052-U can be powered by either the B 2013 battery box (supplied) or the BA 2013 accupack. The B 2013 battery box takes two 1.5 V AA size cells.

The BA 2013 accupack is charged from its associated L 2013 charger. During the charging process, the BA 2013 accupack can remain attached to the receiver. For powering the EK 3053-U, you can either use a 9 V PP3 battery (IEC 6 LR 61) or a rechargeable 9 V accupack. The headphone output on the receivers is designed as a 3.5 mm stereo jack socket. If you use the receivers as part of the monitoring system, please connect earphones. If the receivers are used for other applications, you can also connect any Sennheiser stereo headphones.

To switch the EK 3052-U on, set the on/off switch on the receiver to "ON". The EK 3053-U has a volume control with an integral on/off switch. (The receiver is switched off by turning the volume control fully anti-clockwise until it clicks). Besides the volumes control, both receivers also feature a balance control and a squelch control. A switchable limiter in the receivers prevents peak volume levels that might cause hearing damage.

The EK 3053-U additionally features a stereo/FOCUS selector switch. During stereo operation, the left-right signals are available as usual (transmitter in stereo mode). During FOCUS operation, the left-right signals are mixed and are available as a mono signal in both headphone channels (transmitter in stereo mode). Please note: In FOCUS mode, the balance control serves to adjust the relative levels of the two separate channels in the mixed mono signal. (For example: Transmit vocals on the left and backing music on the right. In FOCUS mode, you listen to a mono signal with complete personal control of the balance between vocals and backing).

Both receivers have an LED for operation and battery status indication. A flashing LED indicates that the battery is going flat. An additional LED on the EK 3053-U indicates that an RF signal is being received. With the supplied clip, the receivers can be attached to the belt.