

SKM 3072-U

RF Wireless Systems | 3000 Series Hand-Held Transmitters

General Description

The SKM 3072-U is a hand-held transmitter with super-cardioid condenser microphone head, suitable for both vocal and speech transmission. Up to 32 switchable transmission frequencies in the UHF band.



Features

- Interchangeable microphone heads for adapting the radiomicrophone to a wide variety of applications
- Sophisticated design, rugged metal casing
- Powered by a 9 V PP3 battery
- HiDyn *plus*[™] noise reduction with 117 dB(A) signal-to-noise ratio
- Input sensitivity switchable in 4 steps
- Special "lock mode" function to prevent accidental switching off
- LC display for frequency/channel, sensitivity, battery status and lock mode
- Battery status transmitted to suitable receivers
- UHF band, 470–960 MHz
- With ME 3005 e/ME 3005 microphone head (condenser, super-cardioid) for vocals/close miking
- Delivery includes: 1 SKM 3072-U(/-x) radiomicrophone with ME 3005 e (/ME 3005) mic head, 9 V PP3 battery, 1 MZQ 3072 stand mount, 8 colour-coded protective caps, 1 storage case

Recommended Accessories

- | | |
|--|-----------------|
| ■ ME 3005 microphone head for presentations | Cat. No. 004573 |
| ■ MZW 4032 windshield with 5 colour-coded identification rings | |
| MZW 4032 (ant) | Cat. No. 002978 |
| MZW 4032 (red) | Cat. No. 002979 |
| MZW 4032 (blue) | Cat. No. 002980 |
| MZW 4032 (yellow) | Cat. No. 002981 |
| MZW 4032 (green) | Cat. No. 002982 |
| MZW 4032 (white) | Cat. No. 003771 |

Product Variants

- | | |
|-------------------------------|-----------------|
| ■ SKM 3072-U-A: 470–600 MHz | Cat. No. 005611 |
| ■ SKM 3072-U-B: 574–702 MHz | Cat. No. 005612 |
| ■ SKM 3072-U-C: 678–814 MHz | Cat. No. 005463 |
| ■ SKM 3072-U-D: 798–960 MHz | Cat. No. 005388 |
| ■ SKM 3072-U-X-A: 470–600 MHz | Cat. No. 005613 |
| ■ SKM 3072-U-X-B: 574–702 MHz | Cat. No. 005614 |
| ■ SKM 3072-U-X-C: 678–814 MHz | Cat. No. 005467 |
| ■ SKM 3072-U-X-D: 798–960 MHz | Cat. No. 005389 |

Technical Data SKM 3072-U

RF output power	typ. 30 mW
Transmission frequencies	1–32
Frequency range	470–960 MHz
Switching bandwidth	max. 32 MHz
Modulation/pre-emphasis	wideband FM/50µs
Nom./peak deviation (1 kHz)	± 40 kHz / ± 56 kHz
Noise reduction system	HiDyn <i>plus</i> [™]
AF frequency response	80–18,000 Hz
Signal-to-noise ratio	117 dB(A)
THD (1 kHz/nom. dev.)	≤ 0.3 %
Sensitivity	adjustable in 4 steps of 10 dB
Max. sound pressure level	144 dB SPL (ME 3005)
Power supply	9 V alkaline, IEC 6 LR 61 or rechargeable battery

Power consumption	
at nominal voltage	approx. 50 mA
Operating time	
- with alkaline battery	approx. 8 hrs
- with rechargeable battery	approx. 2 hrs
Dimensions in mm	255 x 50 mm
Weight incl. battery	approx. 350 g

Technical Data ME 3005e

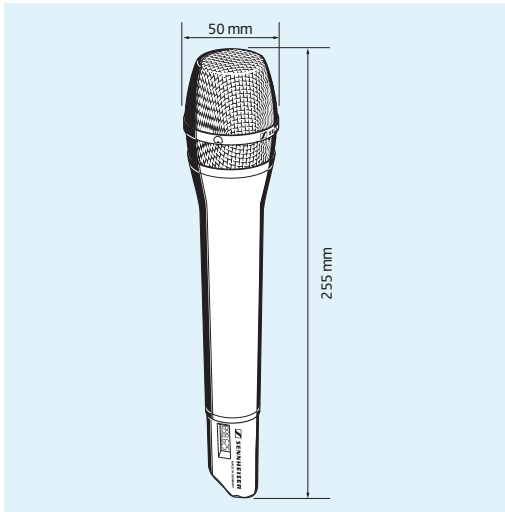
Microphone head	condenser
Pick-up pattern	super-cardioid
AF frequency response	40–20,000 Hz (± 2.5 dB)
Sensitivity	
(free field, no load)	0.4 mV/Pa (= –68 dBV/Pa)
Equivalent noise level	44 dB (DIN IEC 651)
	56 dB (CCIR 468-3)
Max. SPL at THD = 3 %	154 dB (1 kHz)

Technical Data ME 3005

Microphone head	condenser
Pick-up pattern	super-cardioid
AF frequency response	40–20,000 Hz (± 2.5 dB)
Sensitivity	
(free field, no load)	1.25 mV/Pa (= –58 dBV/Pa)
Equivalent noise level	34 dB (DIN IEC 651)
	46 dB (CCIR 468-3)
Max. SPL at THD = 3 %	144 dB (1 kHz)

SKM 3072-U

RF Wireless Systems | 3000 Series Hand-Held Transmitters

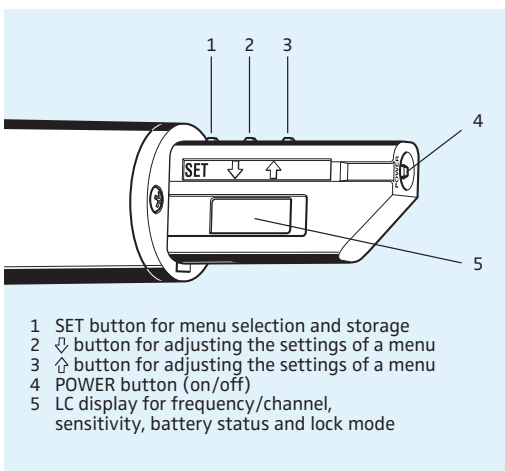


SKM 3072-U dimensions

The SKM 3072-U is Sennheiser's 3000 series UHF radiomicrophone for stage and broadcasting use. Two interchangeable super-cardioid condenser microphone heads make the SKM 3072-U extremely flexible to use: while the ME 3005 e microphone head is the ideal choice for vocals and close-miking, the ME 3005 head has been tailored to speech and presentations, which generally involve greater microphone distances. The SKM 3072-U radiomicrophone is matched to all 3000 series UHF receivers and is, of course, also fully compatible to the 5000 series receivers, thus making the range of possible applications almost unlimited.

Up to 32 switchable UHF transmission frequencies within a switching bandwidth of max. 32 MHz give the highest flexibility, enabling you to go "on air" without problems. In addition, the SKM 3072-U uses Sennheiser's special HiDyn *plus*™ noise reduction system, which ensures optimum sound quality even under difficult transmission conditions. The POWER button of the SKM 3072-U (situated in a recess at the tip of the antenna section) can be locked electronically. By activating the lock mode, any accidental switching off is prevented.

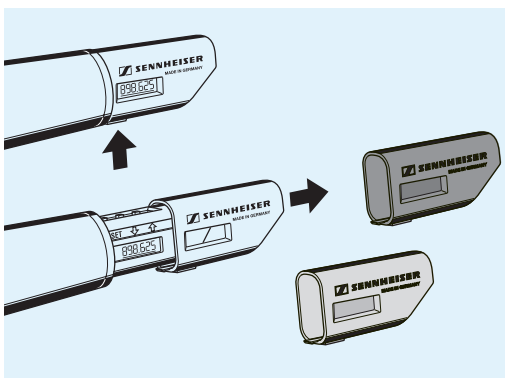
The benefits of the SKM 3072-U radiomicrophone do not only include excellent transmission reliability, transparent sound and professional features, but also ease of use and a user-friendly, menu-assisted operation. The menu controls are protected by a lockable and interchangeable colour-coded identification cap. The SKM 3072-U comes complete with 8 of these caps, their different colours help differentiate between transmitters when you are using several SKM 3072-U simultaneously. To access the menu controls, unlatch the protective cap by pressing the lock "button" at the bottom, then pull the cap off (see drawing at the bottom right). The three controls are located in a slot at the top of the antenna section.



Operating controls

With the SET and ↓ and ↑ buttons you are able to adjust the radiomicrophone's sensitivity, select a transmission frequency and assign it a channel number. You can also activate and deactivate the lock mode. The SKM 3072-U can be set to four different sensitivities, selectable in steps of 10 dB (from -30 dB to 0 dB). The sensitivity can be adjusted directly on the switched on microphone. When adjusting the sensitivity during a soundcheck, please bear in mind that many inexperienced users tend to be more cautious and restrained in front of an empty auditorium than they will actually be during their performance in front of the audience.

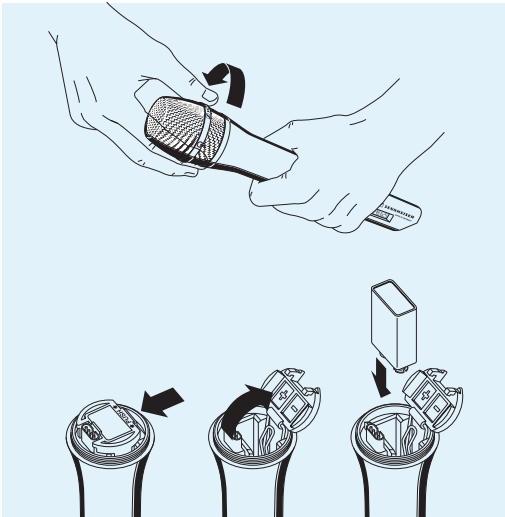
With the menu controls, you can also choose one of the 32 pre-programmed transmission frequencies and assign it a channel number between 001 and 255. The currently selected transmission frequency – or its respective channel number – is continuously indicated on the multi-function LC display. If you wish to check the transmission frequency without actually transmitting (for example, in case of possible interference to another user) remove the microphone head before turning the transmitter on. The frequency can then be read without transmitting any signal. Once the transmitter has been set to the required frequency, the microphone head



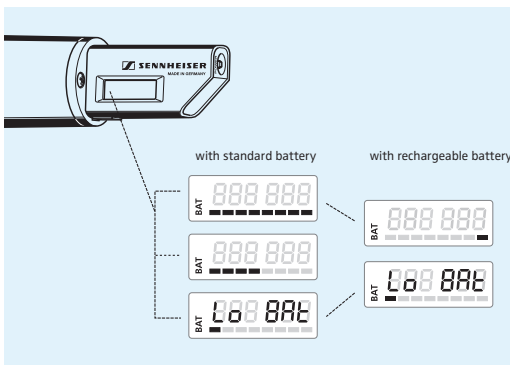
Unlocking and removing the protective identification cap

SKM 3072-U

RF Wireless Systems | 3000 Series Hand-Held Transmitters



Inserting the battery



Display of battery status

can be replaced and the transmitter will start transmitting normally.

The LC display also shows the battery status of the hand-held transmitter. There are two options for powering the SKM 3072-U: choose between a standard 9 V PP3 battery or a rechargeable battery. However, to ensure a longer operating time, we would recommend using a standard PP3 alkaline manganese battery. To insert the battery, unscrew the microphone head. The latching lid of the battery compartment is just underneath. The drawing on the left-hand side shows you how to open the compartment.

For checking the battery status, the LC display of the SKM 3072-U is provided with an 8-segment capacity indication. If the battery is going flat, only one segment will show, and a "Lo BAT" warning will be displayed in alternation with the transmission frequency or channel number. You should replace the battery within the next 10 minutes. When you are using an EM 3031-U, EM 3032-U, EM 3532-U, EK 3041-U or EM 1046 as a receiver, it will also display the battery status of the SKM 3072-U. When the "Low Batt" warning starts flashing, the transmitter battery will only last for approximately 10 more minutes of operation.

As the antenna of the SKM 3072-U has been integrated into the microphone body, you should pay special attention to not clasp this part of the mic with both hands or press it against your body. If you do this, the transmitter's range will be drastically reduced.

SKM 3072-U

RF Wireless Systems | 3000 Series Hand-Held Transmitters



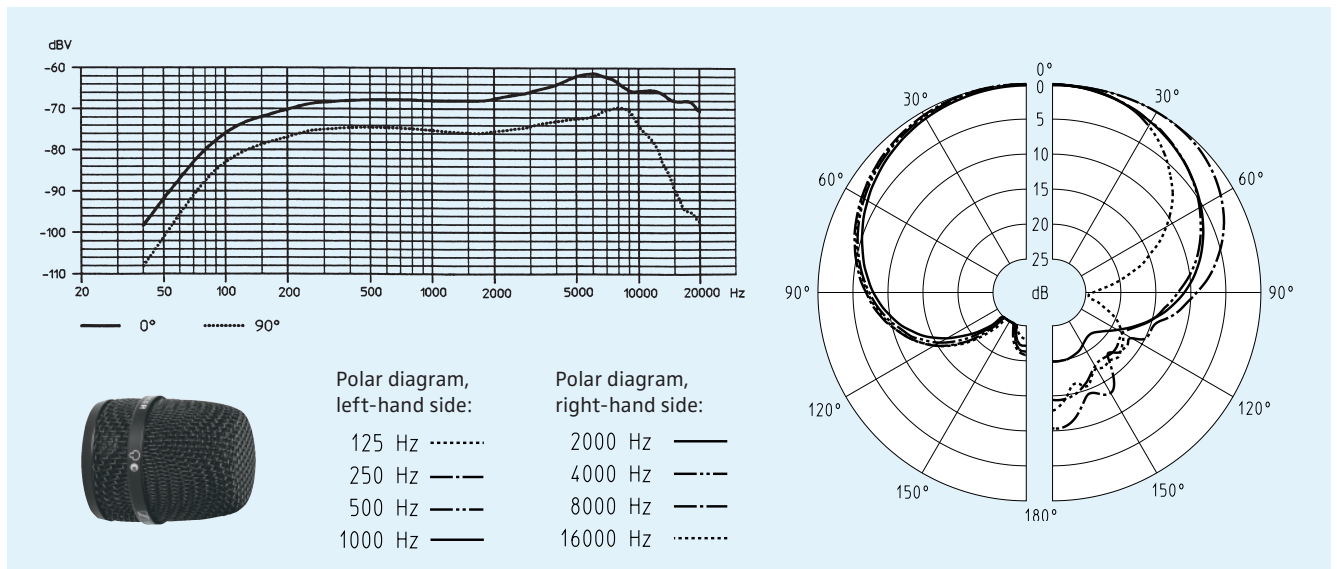
ME 3005 e and ME 3005 microphone heads

Which microphone head for which application?

The SKM 3072-U radiomicrophone can be used with two different microphone heads:

- The super-cardioid ME 3005 e condenser microphone head (delivered with the SKM 3072-U) has been designed for close-miking. It features an optimised frequency response curve and a lower sensitivity, making it an ideal choice for vocals and presentations with high ambient noise levels.
- The super-cardioid ME 3005 condenser microphone head (delivered with the SKM 3072-U-x variant and available separately as an accessory) has been optimised for greater talking distances and is therefore especially suitable for presentations and interviews. Its frequency response curve (with increased bass and treble response) and a higher sensitivity ensure very good speech intelligibility and full-bodied sound.

ME 3005 e Condenser microphone head with super-cardioid pick-up pattern



ME 3005 Condenser microphone head with super-cardioid pick-up pattern

