

SKM 2020-D Digital Tourguide handheld transmitter

FEATURES

- Digital RF signal transmission
- 6 channels in the licence-free frequency range
- Roughed stage-proven housing
- Ideal in noisy environments
- Backlit display for channel and battery status

SKM 2020-D

speaking into a hand-held microphone is the easiest way to address your audience. Should a tour participant pose a question, just hand over the microphone and everything will get clearly through to everybody. Interviewing an expert in front of your audience will make your tour even more interesting. The SKM 2020-D efficiently attenuates unwanted background noise. The transmitter is easy and comfortable to operate and highly robust. Check the back-lit display for channel and battery status. The rechargeable battery lasts for a tour of 8 hours straight. After the tour, simply quick-charge the battery pack in the charging case EZL 2020-20L which has an extra slot to charge and store a spare pack.



ARCHITECT'S SPECIFICATIONS

The device shall be a portable digital handheld microphone transmitter for use with companion receivers as part of a larger tour guide system. The portable digital handheld microphone transmitter shall be made available in select versions to operate within in license-free transmission frequency ranges designated as 863–865 MHz, and 926–928 MHz (US-version) and shall provide 6 discrete channels of operation. It shall utilize a frequency modulation scheme of 2 frequency-shift keying (FSK). Radio Frequency output power shall be between 10 mW. Signal-to-noise ratio shall be >65 dB(A) with a total harmonic distortion of < 1.0%. The integral microphone shall be a dynamic transducer type with a cardioid pick-up pattern. Power shall be supplied to the portable bodypack transmitter by 1 proprietary battery (2.4 Vdc, Sennheiser part number BA 2015) or by 2 "AA" size batteries (1.5Vdc each). Operating time shall be approximately 8 hours. Operating range (distance to receiver) shall be up to 164' (50 m) indoor and up to 328' (100 m) outdoor.

TECHNICAL DATA

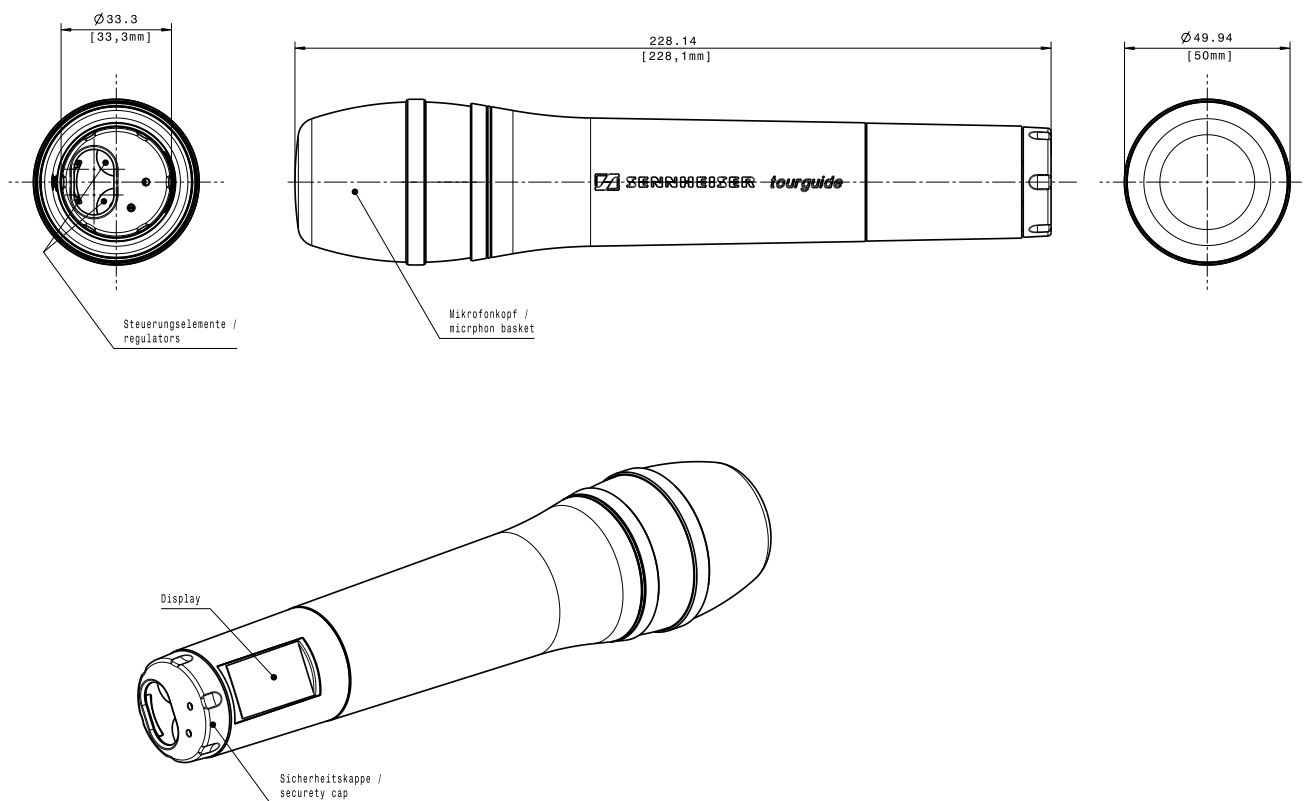
Modulation.....	2 FSK
RF frequency range	863 – 865 MHz 926 - 928 MHz (US-Version)
Channels	6
RF output power	10 mW
Signal-to-noise ratio	> 65 dB(A)
THD	< 1%
Pick-up pattern	Cardioid
Transducer principle.....	Dynamic
Operating time	8 h
Power supply	BA 2015 (2,4 V; 2x AA 1,5 V)
Operating temperature	0 ... +50 °C
Weight incl. Battery	420 g (14.81 oz)
Range Indoor	up to 50 m (164.04 ft)
Range Outdoor	up to 100 m (328.08 ft)
Delivery.....	SKM 2020-D

ARCHITECT'S SPECIFICATIONS

The portable digital handheld microphone transmitter shall include a backlit user display showing channel and battery status. The portable digital handheld microphone transmitter housing shall be fabricated from metal; overall maximum housing dimensions shall be approximately 8.98" (228.14 mm) long x 1.97" (49.94 mm) diameter. Weight including battery shall be 14.81 oz (420 grams). Operating conditions shall be ambient temperature +32°F to +122°F (0°C to +50°C). The portable digital handheld microphone transmitter shall be Sennheiser model SKM 2020-D.

SKM 2020-D Digital Tourguide handheld transmitter

DIMENSIONS



PRODUCT VARIANTS

SKM 2020-D	Cat. No. 500894
SKM 2020-D US	Cat. No. 500895

RECOMMENDED ACCESSORIES

EZL 2020-20	Cat. No. 500542
L 2015	Cat. No. 009828

Sennheiser electronic GmbH & Co. KG
Am Labor 1, 30900 Wedemark, Germany
www.sennheiser.com

 **SENNHEISER**